

球阀型号编制

Ball Valve Figure Number System

种类Type	标准Standard	驱动Drive	连接Connection	结构Style	密封Seal	材质Material
A-球阀	G-GB	0-手柄	1-外螺纹	1-浮动直通	F-四氟	Z-铸铁
	A-API	1-蜗轮	2-内螺纹	4-浮动三通L	H-合金钢	Q-球铁
	D-DIN	2-电动	3-法兰	5-浮动三通T	W-本体密封	C-铸钢
	J-JIS	3-气动	4-对夹	6-四通流道	Y-硬质合金	S-不锈钢
			5-焊接	7-固定直通	N-尼龙塑料	I-铬钼钢
			6-卡套		M-蒙乃尔合金	T-铜合金
					PL-对位聚苯酚	T-铬钼钒钢

备注：低温阀型号前加"D"，保温阀型号前加"B"。

Remarks: The front of the cryogenic valve model is "D", and the front of the insulation valve model is added with "B".

球阀结构形式介绍

Introduction of Ball Valve Structure

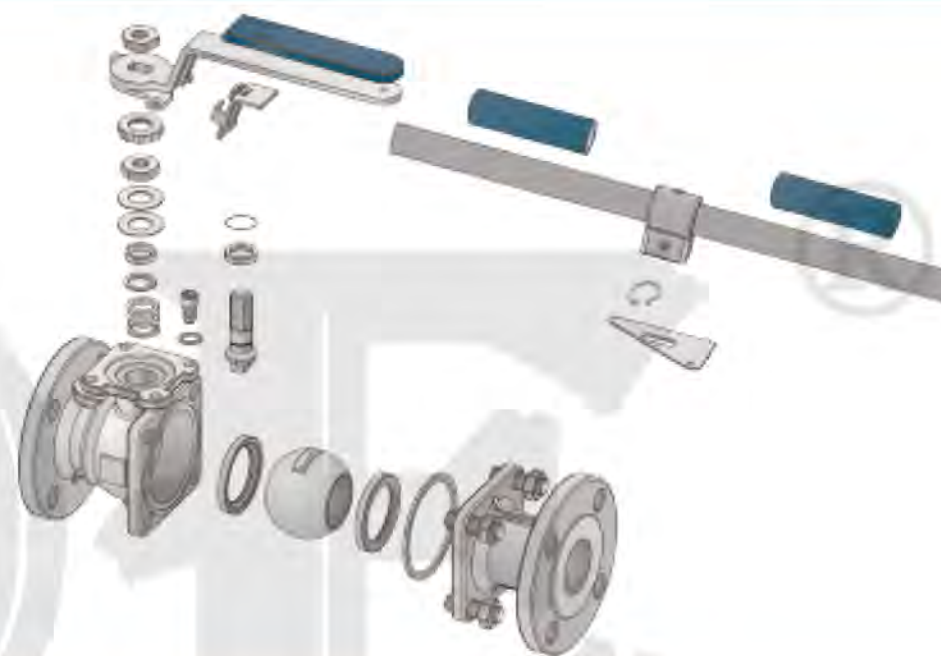
球阀流体阻力小、密封性能好、开关迅速，可用于流体的截断、连通、调节及分配。球阀按结构形式分为浮动球阀、固定球阀两大类，根据制造技术和阀体特征又分为A型（一件式）、B型（二件式）、和C型（三件式）等三种分型。各种球阀在石化、电力、冶金、化工、城建、食品医药等领域均得到广泛的应用。

Ball valve, with little fluid resistance, well seal performance and swift operation, can be used to shut off, pass through, regulate and allocate fluid. According to structure patterns, there are float, trunnion ball valve. In terms of manufacturing technology and valve body can be defined as A type (1 piece), B type (2 pieces) and C type (3 pieces). Each kind of ball valve can be suitable for pipelines such as petroleum chemical, power station, metallurgy, building, foodstuff and medicine etc.

一、浮动球阀Float ball valve

浮动球阀结构简单，制造工艺成熟，专业化程度高，性能可靠，适用范围广，制造成本较低，是公称通径≤DN150球阀首选品种。

Float ball valve, with simple structure, mature manufacturing technology, high specialization, reliable performance, wide usage, low cost, is the first selection of ball valve whose nominal diameter ≤DN150.



二、固定球阀Trunnion ball valve

固定球阀采用弹性浮动阀座结构，球体只有绕阀杆传动一个自由度，阀门关闭时在介质压力下不会与阀座产生过高的密封比压而导致密封面损伤，因此可以制造高压、大口径球阀。通径≥200应选用固定球阀。

Trunnion ball valve, with flexible float seat, the ball moves around the spindle in a degree of freedom, shut the valve whose seal will not be damaged by the this type valve is suitable for high pressure and large size ball valve whose nominal diameter ≥200 should select this ball valve.

